

GSD Sidekick™ Seat Pad



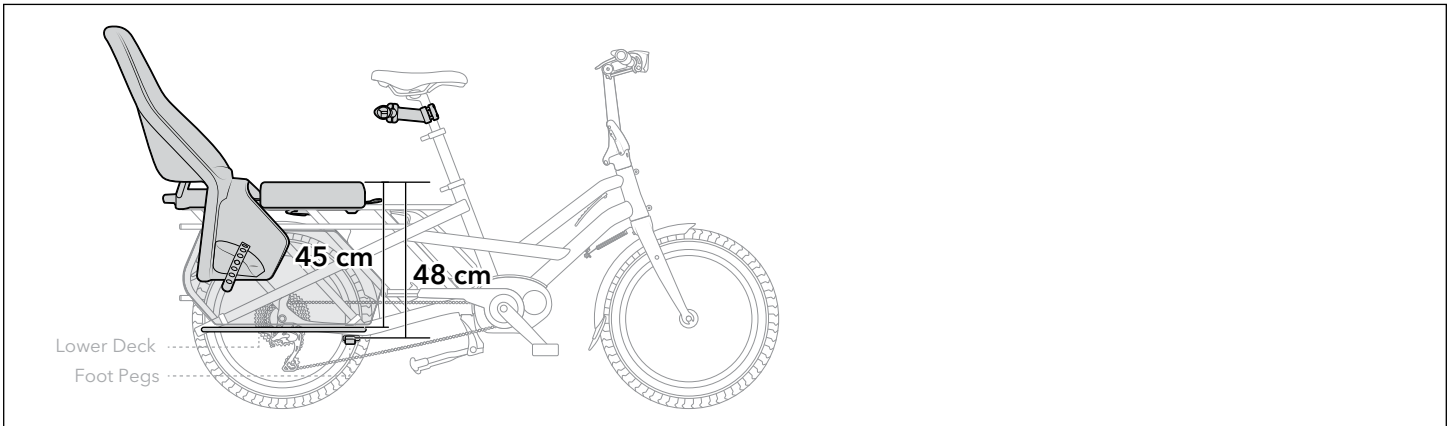
Safety

Seat Pad is approved for use on the Tern GSD only.

⚠ It may be illegal to carry passengers on a bike in your area even if it has been designed or configured to do so. Check your local regulations before carrying passengers.

Footrests

Seat Pad must be used with footrests such as the Sidekick Foot Pegs or Sidekick Lower Deck. Passenger must be tall enough so that their feet can lay flat on the footrest. If a child's feet cannot comfortably reach the footrest, please use a child seat instead.



Handholds

Whenever the GSD is in motion, the passenger must hold on to something stationary such as Sidekick Bars, frame, saddle or add-on handle.

Helmet

All passengers must wear an approved helmet.

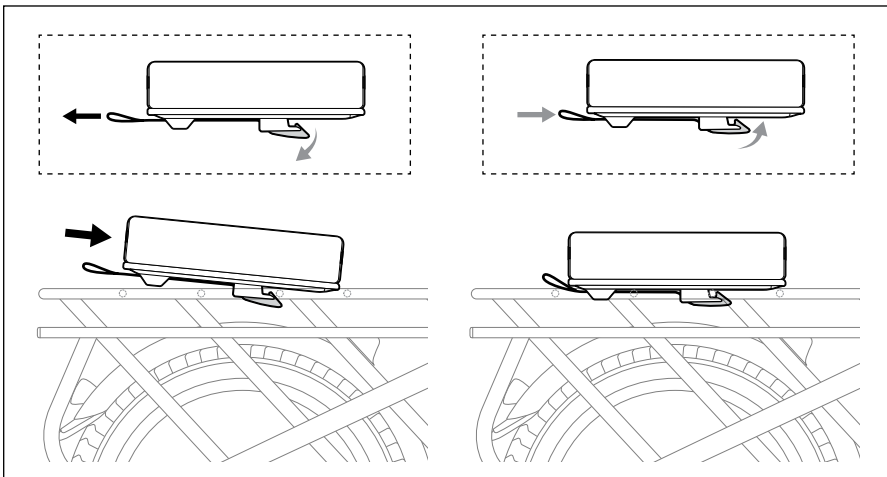
Attire

Avoid wearing loose-fitting clothing such as skirts, pants, and shoelaces which can get caught in the spinning wheel. Take care that all straps are tied down.

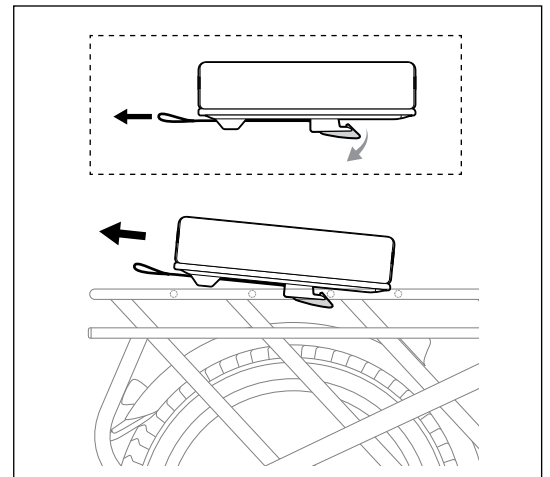
Protection from Tire

Seat Pad must be used with a set of flat folding Tern Cargo Hold™ Panniers, Sidekick Wheel Guards, or pannier bags to act as a safeguard from the tire.

Attachment



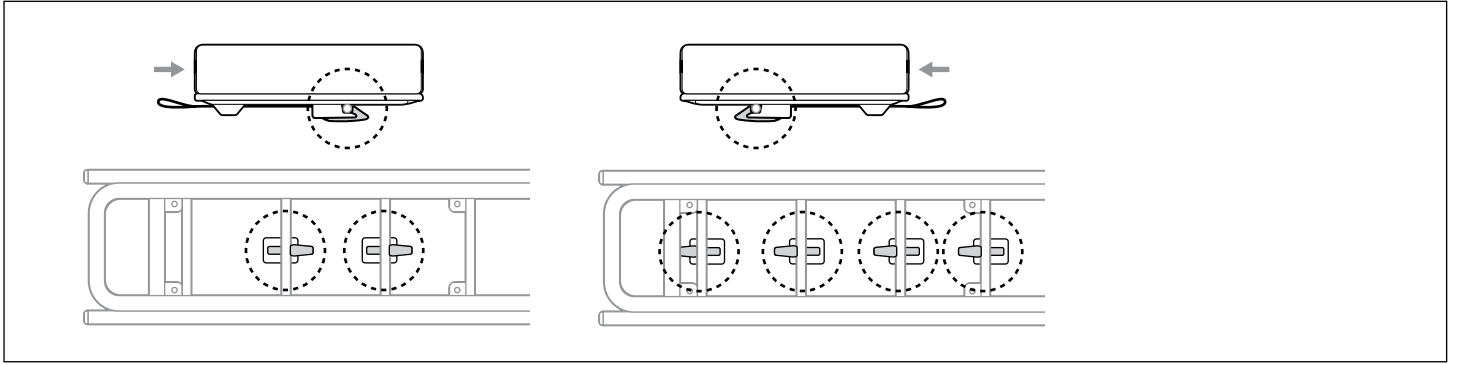
Removal



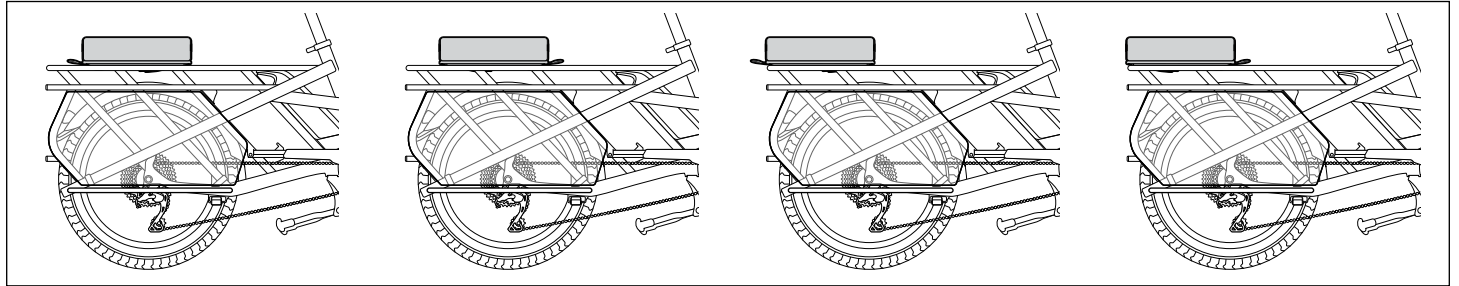
⚠ When the KLiCKfix® releases, your hand may suddenly lurch and strike the bike. Get used to the force required for release and make sure you have enough clearance to avoid injuring your hand.

Mounting Locations

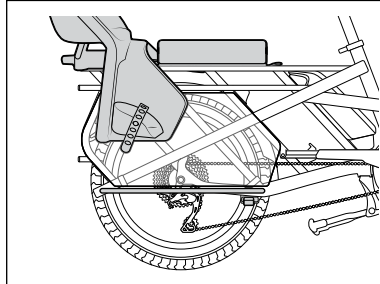
The Seat Pad can be mounted toward the front or the rear of the bike on the rear rack. Have the rear passenger sit on the bike to determine the most comfortable position and to check that the passenger does not interfere with the rider's heel clearance. Reposition the seat pad accordingly.



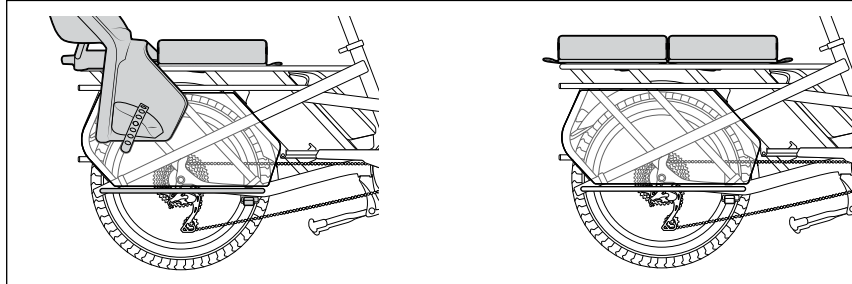
Single Seat Pad



With Child Seat



Two Seat Pads



Caring for the Seat Pad

When not in use, keep the Seat Pad away from direct sunlight to extend its life.

If your Seat Pad gets wet, open the zipper to allow for faster drying. It is advisable not to remove the foam from the sleeve because it will be very difficult to put back in.

LIMITED PRODUCT WARRANTY INFORMATION: This Product comes with an ONE (1) YEAR Limited Warranty from the date of retail purchase by the original end-user. If a material or workmanship defect arises and a valid claim is received within the Warranty Period, this Product will be replaced. Mobility Holdings cannot be held liable for damages to personal property due to misuse or improper care and maintenance. This Product Warranty does not, under any circumstance, cover the replacement or cost of any third party product used with or connected to the Product.

Tern, the Tern Werd (logotype), the Tern Berd (device), GSD, Cargo Hold, and Sidekick, used alone or in combination are trade names, trade devices or registered trademarks of Mobility Holdings, Ltd.

Trademarks are the property of their respective owners.

© 2019 Mobility Holdings, Ltd. All rights reserved.

   Tern Bicycles

ternbicycles.com