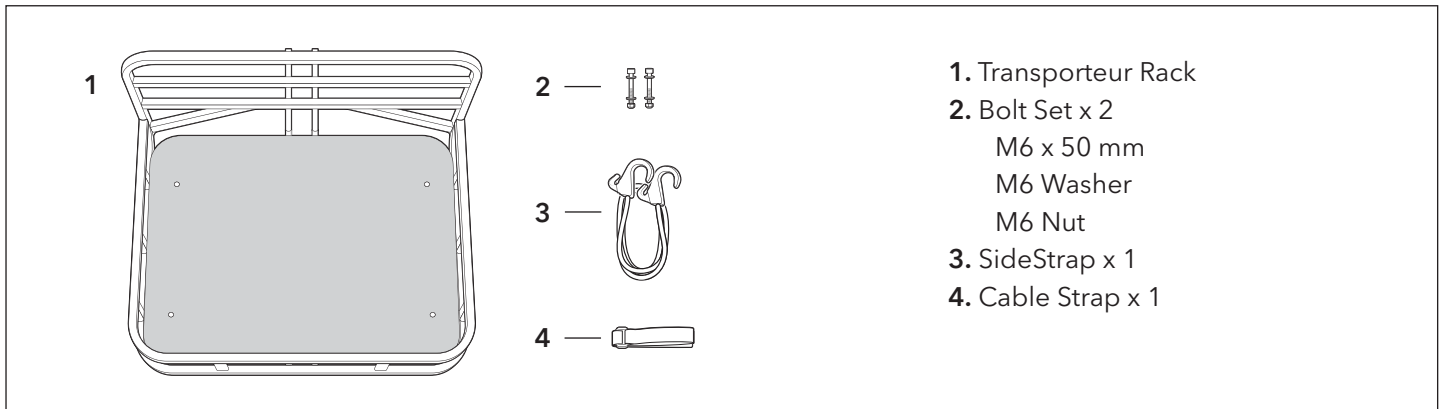


Transporteur™ Rack

What's Included



Weight Limit

Do not exceed 20 kg (44 lb).

Safety

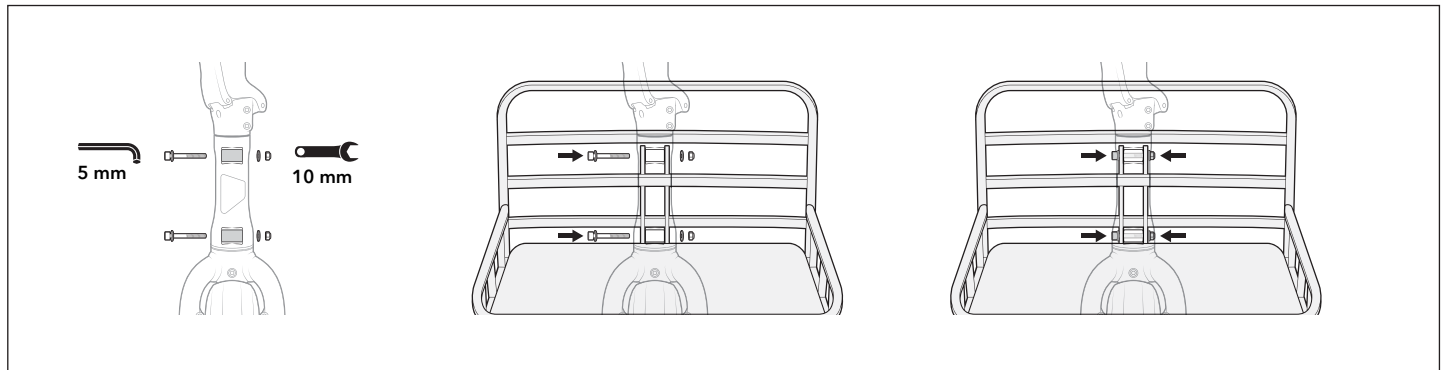
- ▲ Do not move your GSD by the Transporteur Rack.
- ▲ Secure all cargo before riding. Take care that all straps are tied down and any loose item is secured.

Installation

Tools required (not included)

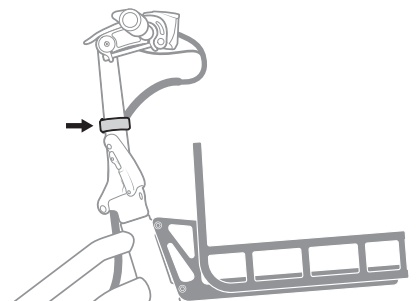
5 mm Allen Wrench

10 mm Open-End Wrench



1. Fit the Rack onto mount and insert Bolts, Washers, and Nuts, as shown above.
2. Tighten Bolts to a torque of 10 Nm - 12 Nm.
3. Secure the Cables with the Cable Strap.

- ▲ Check that cables and cargo do not interfere with steering and/or braking before riding.
- ▲ Make sure the Cable Strap location does not interfere with Physis handlepost operation.

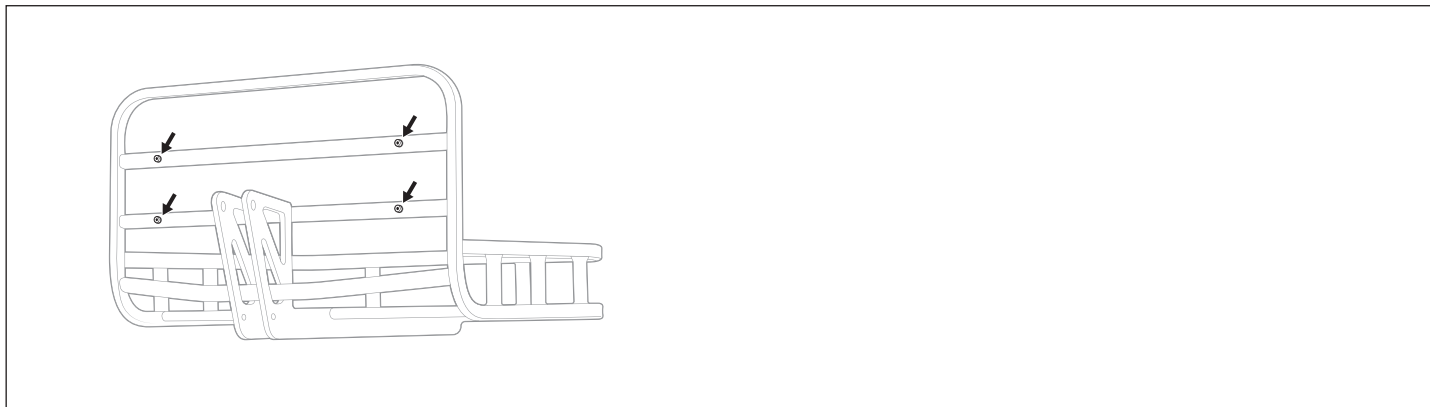


How to Install a Bottle Cage and/or Lock

Tools required (not included)

4 mm Allen Wrench

1. Remove Bottle Cage bolts from Rack.
2. Position Cage or Lock against the braze-ons.
3. Tighten Bolts to a torque of 4 Nm - 5 Nm.



LIMITED PRODUCT WARRANTY INFORMATION: This Product comes with an ONE (1) YEAR Limited Warranty from the date of retail purchase by the original end-user. If a material or workmanship defect arises and a valid claim is received within the Warranty Period, this Product will be replaced. Mobility Holdings cannot be held liable for damages to personal property due to misuse or improper care and maintenance. This Product Warranty does not, under any circumstance, cover the replacement or cost of any third party product used with or connected to the Product.

Tern, the Tern Werd (logotype), and the Tern Berd (device), GSD and Transporteur Rack, used alone or in combination are trade names, trade devices or registered trademarks of Mobility Holdings, Ltd.

Trademarks are the property of their respective owners.

© 2018 Mobility Holdings, Ltd.

   Tern Bicycles

ternbicycles.com